

Datasheet

# USB DRIVE

## 3ME series

- High performance with USB 3.0 interface
- Low power consumption
- Wear-Leveling supported
- ECC engine coverage up to 60-bit/1024 Bytes
- Metal housing for robust usage
- 30 $\mu$  golden finger for highly reliable data transfer quality



## Introduction

The Innodisk USB Drive products provide high capacity USB flash memory storage that electrically complies with High-speed USB 3.0 interface & backward compatible with USB 2.0. The device features attractive small form factor and the connectivity over USB 3.0 and the NAND flash architecture provide a faster data transmission.

# USB DRIVE 3ME series

Contact us for more information  
about the USB DRIVE 3ME.

Innodisk is a service-driven provider of industrial embedded flash storage products and technologies, with a focus on the cloud computing, industrial/embedded, and aerospace and defense industries.

## Headquarters (Taiwan)

5F., No.237, Sec. 1, Datong Rd.,  
Xizhi Dist., New Taipei City 221,  
Taiwan (R.O.C.)  
Tel: +886-2-77033000  
Email: sales@innodisk.com

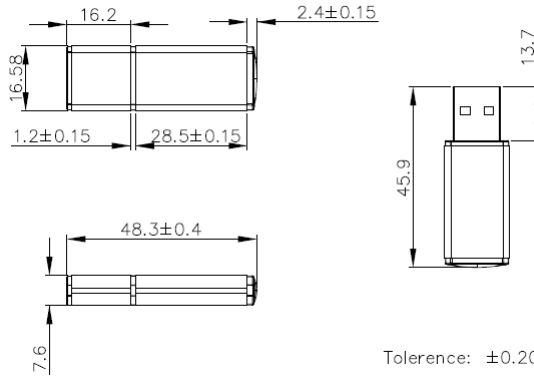
## Branch Offices:

USA  
[usasales@innodisk.com](mailto:usasales@innodisk.com)  
+1-510-770-9421  
Europe  
[eusales@innodisk.com](mailto:eusales@innodisk.com)  
+31-(0)40-282-1818  
Japan  
[jpsales@innodisk.com](mailto:jpsales@innodisk.com)  
+81-45-594-7581  
China  
[sales\\_cn@innodisk.com](mailto:sales_cn@innodisk.com)  
+86-755-21673689  
[www.innodisk.com](http://www.innodisk.com)

© 2015 Innodisk Corporation.  
All right reserved. Specifications  
are subject to change without  
prior notice.

201510122

## Diagram



## Specifications

Interface	USB 3.0
Flash Type	MLC
Capacity	4GB~32GB
Max. Channels	1
Sequential R/W (MB/sec, max.)	100 / 50
Max. Power Consumption	0.70 W (5V x 141 mA )
Thermal Sensor	-
External DRAM buffer	-
H/W Write Protect	-
ATA Security	-
S.M.A.R.T.	-
Dimension (WxLxH)	16.5 X 48.3 X 7.6 mm
Environment	Vibration: 20G @7~2000Hz Shock: 1500G @ 0.5ms Storage Temperature: -55°C ~ +95°C MTBF: 3 million hours

## Ordering Information

Operation Temp.	04GB	8GB	16GB	32GB
Standard Grade (0°C ~ +70°C)	DEUA1-04GI61RC1SC	DEUA1-08GI61RC1SC	DEUA1-16GI61RC1SC	DEUA1-32GI61RC1SC
Industrial Grade (-40°C ~ +85°C)	DEUA1-04GI61RW1SC	DEUA1-08GI61RW1SC	DEUA1-16GI61RW1SC	DEUA1-32GI61RW1SC